

MON-100



The **MON-100** modern node is dedicated to FTTH networks and designed for DOCSIS 3.1 technology.

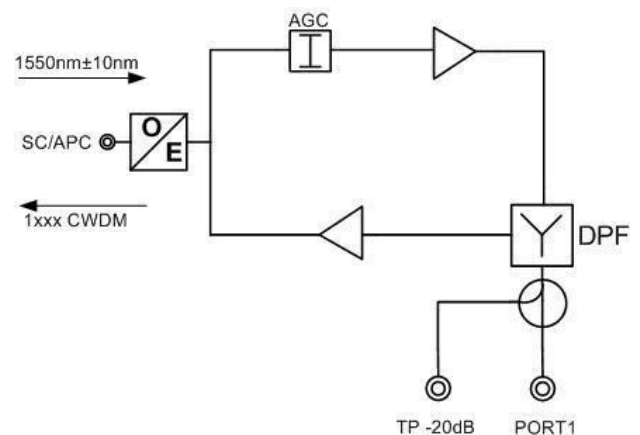
Small construction enables application in compact housing. RF output level is 80dB μ V which ensures signal division for several devices (e.g. modem, TV, STB). MON-100 is equipped with RF (AGC) automatic gain control, which guarantees optimum bandwidth. Its characteristics slope is 5dB, which is why connection of the device is provided thru optical-fibre cable, coaxial cable, and power supply.

This device meets all the standards related to RFoG technology, and it can be applied in PON networks.

The devices includes various DS and US bandwidths, various bandwidths in the return path are also available.

- Bandwidth up to 1218 MHz
- 1310 nm, 1610 nm or other CWDM wavelength in return path
- Compact housing
- LED indicators for power, optical input and transmission status
- Low power consumption
- Can be powered remotely through RF port (opt.)

BLOCK DIAGRAM



TECHNICAL PARAMETERS

PARAMETERS		MON-100		
FORWARD PATH				
Input level range	dBm	-9...+2		
AGC range	dBm	-6...0		
Optical return loss	dB	>40		
Optical input wavelength	nm	1550±10 ¹⁾		
Equivalent input noise current	pA/√Hz	<7		
Optical connector	/	SC/APC		
Frequency range	MHz	110,256...1218		
Flatness	dB	±0,75		
Max. output level ²⁾	dBμV	80		
Equalizer	dB	5		
Output test point	dB	-20±1		
Return loss at RF output	dB	≥18@40MHz-1,5dB/ oct.		
RETURN PATH				
Frequency range	MHz	5...85,204		
Flatness	dB	±0,75		
OTHERS				
Power supply ³⁾	V _{DC} / Hz	9		
Powers consumption (490 mA/ 9V)	W	<4,6		
Minimum signal level for laser switch on (burst mode)	dBμV	75±1		
Connector	/	F		
Protection class	/	IP54		
Operating temperature	°C	-20...+55		
Weight	kg	0,3		
Dimensions	mm	100x130x30		
Package	/	box		
Optical output wavelength	nm	1310	1610	CWDM ⁴⁾
Optical output power	dBm/mW	3/2		

1) Version with 1310nm reception is also available

2) CENELEC 42@-6dBm 3,5%OMI, CTB≤-60dB, CSO≤-60dB

3) The power supply included.

4) 16 wavelength (from 1270 nm to 1610 nm, excluding 1550nm, 1530nm, 1570nm) to be defined during order

Technical parameters may be changed without earlier notice.

www.telmor.pl